

# MAGIC SWITCH



**Voluntary** opening sensor for all types of automatic doors

**Detection**  
**Hygiene**  
**Visibility**

## Use

### The radar technology serving sensitive environments

The MAGIC SWITCH, used as a contactless switch, integrates the market safest technology for motion detection : the Doppler effect technology that ensures a high quality of detection.

Thanks to this technology, the MAGIC SWITCH is :

- stable and reliable
- suitable for a large number of environments
- particularly well-suited for applications in hospitals, food processing or pharmaceutical sectors. It also allows ease of access for the disabled arriving in front of a low energy automatic door

### Contactless opening

The opening is activated by simple hand moves [push or oscillation effect] in front of the sensor. It is not necessary to put the hand on the sensor. This feature guarantees absolute hygiene, which is necessary in some environments.

- possibility to keep the door open in "toggle" mode
- in "impulse" mode, the door will close after the passing through



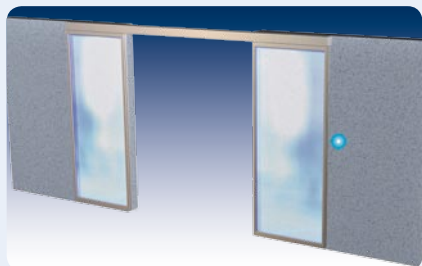
### Visibility anytime

- phosphorescent front face
- LED [blue] lights on when there is a detection

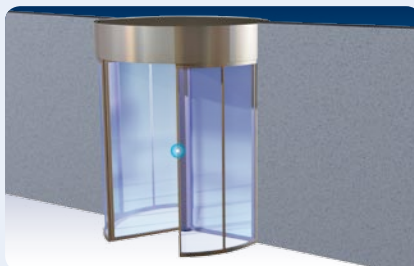
### The Pros

- fully snap-on mechanics
- can be completely recessed into any surface [except for metallic]
- laser engraving on the housing, indelible even with high pressure cleaning

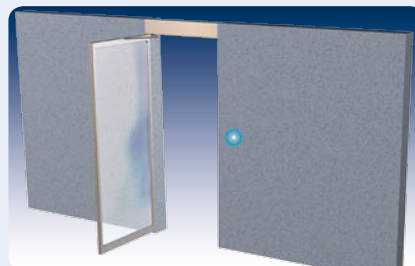
## Types of doors



Sliding doors



Revolving doors



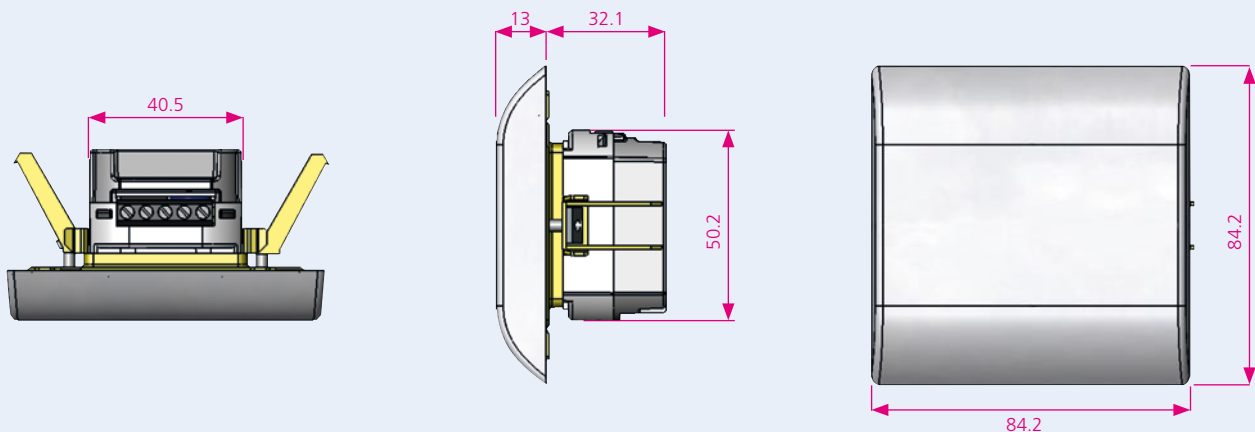
Swinging doors

## Technical specifications

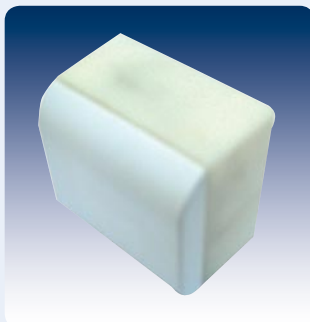
Technology :	Microwave motion sensor
Radiated frequency :	24.125 GHz
Detection range [hand] :	+/- 20 - 50 cm if movement towards sensor at 90° (adjustable)
Detection mode :	Motion (bidirectional)
Speed of target :	Min. 5Hz or +/- 3cm/s, max. 200Hz or +/- 1.2m/s
Supply voltage :	12 - 24V AC +/- 10% 12 - 24V DC +30% / - 10%
Power consumption :	< 1.2W
Output :	Relay with switch-over contact (free of potential)
Output hold time :	0.5s (in PULSE mode)
Temperature range :	-20°C - +55°C
Norm conformity :	Electromagnetic compatibility (EMC) according to 2004/108/EC
Degree of protection :	IP52 (when recessed in the wall plus sealed with silicone or when flush mounted with a BEA accessory)
Material :	ABS
Colour :	White phosphorescent

Specifications are subject to changes without prior notice

## Dimensions



## Accessories and options



Surface mount box



Your company logo in laser engraving



Logo in laser engraving



Switch for either "toggle" or "impulse" mode