

EAGLE ONE & TWO

Energy saving universal
opening sensor
for all automatic doors



Detection

- **Very wide sensing field** for greater user's comfort and good side approach detection
- Mounting height up to 5 m with the HM range

Technology

- **K-band planar antenna** dedicated to automatic doors
- **Digital electronics** controlled by a powerful microprocessor

Adjustments for universal use

- Fully controlled by a coded **infrared remote control**. Thanks to its remote control, the EAGLE can be adjusted simply and rapidly from a distance, without opening the housing
- **"3-D" adjustment** : the EAGLE's antenna can be oriented along two axes :
 - **Front adjustment of the antenna : from 0° to 90°!** This means you can fix your EAGLE with its back to the ceiling, without further accessories or investment
 - **Lateral adjustment of the antenna : 30° left to 30° right!** Can be positioned perfectly horizontally on the side of a door (swing door, for example), with the option of centring the field in relation to this door
- Mounting height up to 4 m

Appearance

- **Sophisticated design**, which will win over the most exacting architects
- **Very compact size**, which means minimal visual impact and high ease of fitting, even in the tightest spots
- Virtually **vandal-proof** with its robust ABS housing, and not subject to maladjustment thanks to its special system for fixing the housing

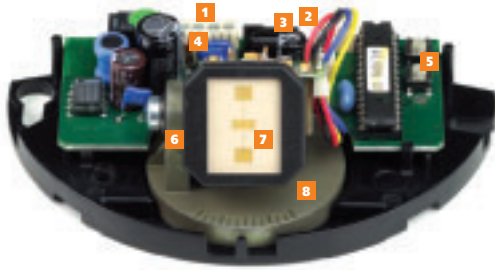
With the microwave sensor, controlled by infrared remote control

A digital uni- or bidirectional motion sensor controlled by an infrared remote control, for trouble-free opening of all types of automatic door (sliding, swinging, folding, revolving, curved, etc).

It can be adapted to every application without further accessories.

Mounting height up to 5 m with the Eagle HM range also available in uni- or bidirectional mode.





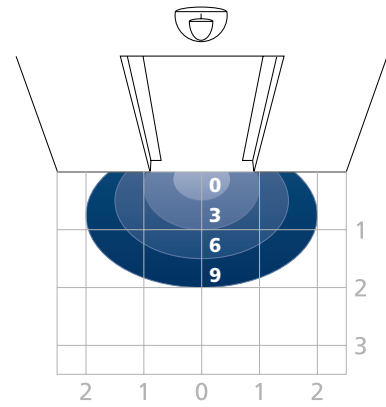
Description

- 1 Connection block
- 2 Communication connector
- 3 Infrared receiver
- 4 LED
- 5 Sensitivity adjustment buttons
- 6 Antenna bracket for front adjustment
- 7 Planar antenna
- 8 Ring for lateral adjustment

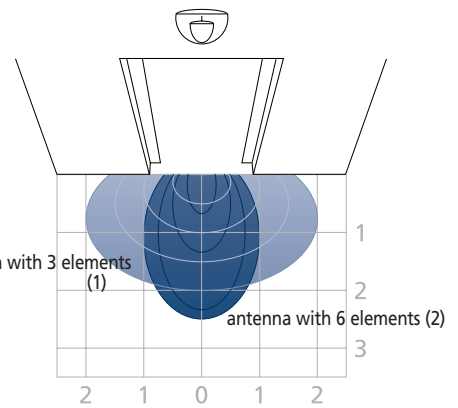
Accessories

- 1. **ECA** : Accessory for mounting in false ceiling
- 2. **ERA** : Rain cover accessory
- 3. **EBA** : Another mounting possibility

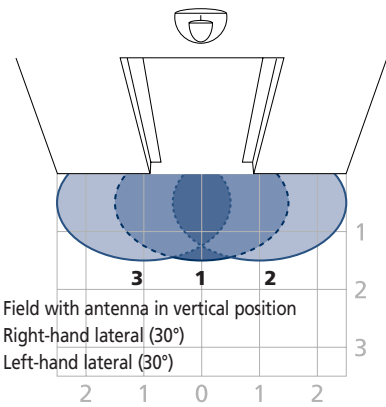
Sensing fields



Sensing fields in accordance with sensitivity setting
mounting height : 2.2 m



Sensing fields in accordance with type of antenna and sensitivity
mounting height : 2.2 m



Sensing fields in accordance with lateral position of antenna
mounting height : 2.2 m

Technical specifications

Technology	microwave and microprocessor
Frequency emitted	24.175 GHz
Radiated power	< 20 dBm EIRP
Power density emitted	<< 5 mW/cm ²
Mounting height	4 m max.
Tilt angles	from 0° to 90° vertical from -30° to 30° lateral
Detection area (mounting height : 2.2 m)	
• wide sensing field	4 m (W) x 2 m (D)
• narrow sensing field	2 m (W) x 2.5 m (D)
Detection mode	motion
Min. detection speed	5 cm/s (measured in the sensor axis)
Supply voltage	12 V to 24 V AC ±10% 12 V to 24 V DC +30% / -10%
Mains frequency	50 to 60 Hz
Power consumption	< 2 W (VA)
Standard output	relay (free of potential change-over contact)
• max. contact voltage	42 V AC / 60 V DC
• max. contact current	1 A (resistive)
• max. switching power	30 W (DC) / 60 VA (AC)
Hold time	0.5 s to 9 s (adjustable)
Manual adjustments	
• sensitivity	2 push buttons + and -
• orientation of sensing field	dual mechanical adjustment, lateral and vertical choice between 2 planar antennas
Remote control adjustments	
• sensitivity	ten levels (0 to 9)
• detection mode	uni-/bidirectional, MTF (Eagle One only)
• hold time	from 0.5 s to 9 s in 10 steps
• immunity	quasi-presence, normal, increased immunity
• output configuration	active/passive, permanently open/closed
• security code	4-digit access code
Temperature range	-20°C to +55°C
Immunity	R&TTE 1999/5/EC - EMC 89/336/EEC
Dimensions	120 mm (W) x 80 mm (H) x 50 mm (D)
Weight	0.215 kg
Material	ABS
Housing colour	anthracite grey (standard) aluminium finish or white
Cable length	2.5 m
Degree of protection	IP54

Subject to modifications

Application

